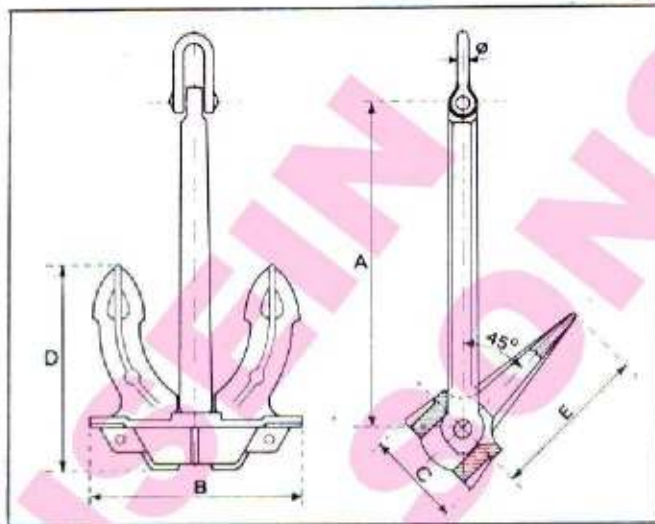
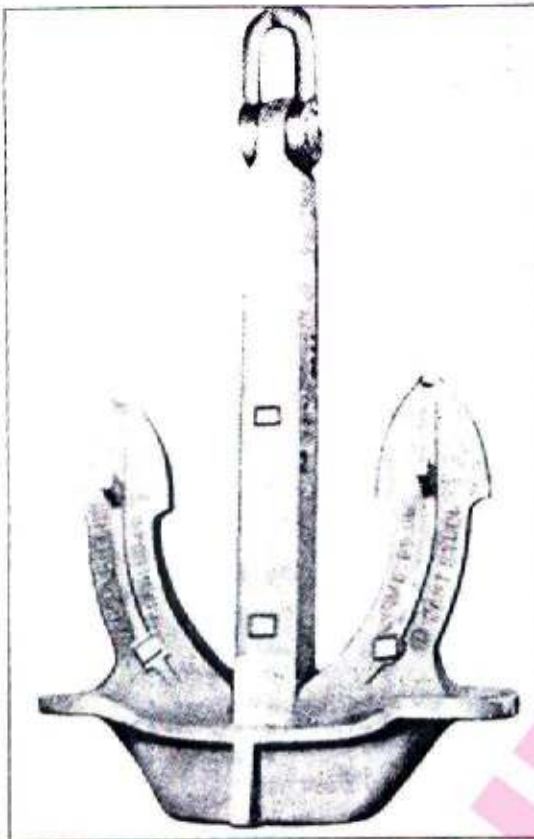


Anchor

Hall Type Stockless Bower Anchor



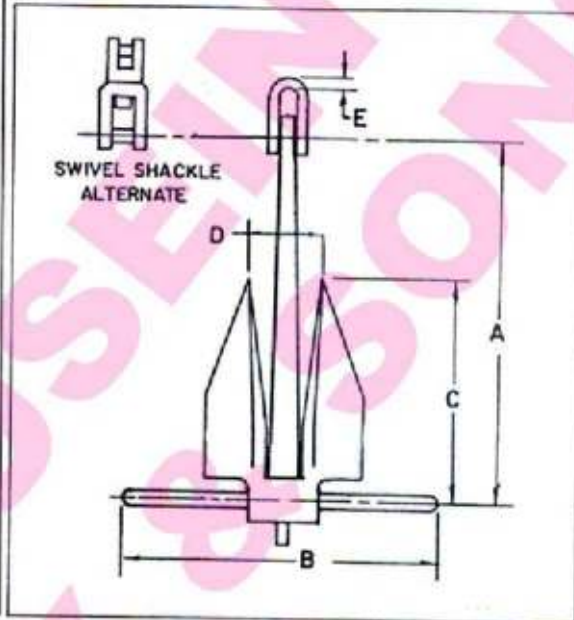
Anchor Weight Kg.	Dimensions in mm					
	A	B	C	D	E	Ø
50	575	410	184	378	300	15
75	660	480	210	429	340	15
100	723	510	230	474	375	20
125	780	550	245	511	405	20
150	835	580	264	544	430	20
180	888	625	281	578	454	20
200	915	645	290	594	470	25
225	950	670	300	622	493	25
240	985	694	312	644	510	25
275	1020	710	322	666	527	25
300	1050	738	330	685	543	30
325	1075	758	338	703	557	30
360	1100	778	346	719	570	30
400	1150	810	360	752	595	30
420	1175	826	368	767	607	30
450	1200	845	373	784	620	35
480	1220	860	380	797	630	35
500	1240	875	386	810	640	35
570	1280	904	400	837	660	40
600	1320	930	410	860	680	40
660	1360	955	420	887	700	40
700	1390	980	430	907	715	45
750	1425	1000	440	927	730	45
780	1450	1030	450	948	750	45
850	1480	1050	460	968	765	50
900	1490	1053	480	970	772	50
950	1520	1072	484	994	787	50
1020	1545	1090	496	1005	800	55
1140	1600	1126	512	1037	825	55
1200	1650	1165	530	1076	855	55
1290	1670	1180	535	1089	865	60
1350	1700	1205	550	1120	890	60
1440	1800	1245	555	1147	895	65
1590	1890	1260	565	1181	900	65
1740	1910	1290	582	1238	945	65
1920	1930	1362	616	1262	999	70
2100	2020	1407	623	1296	1020	70
2280	2040	1446	640	1332	1033	70
2460	2120	1483	667	1367	1076	75
2640	2170	1519	672	1400	1085	75

Anchor Weight Kg.	Dimensions in mm					
	A	B	C	D	E	Ø
2850	2200	1540	700	1434	1140	75
3060	2261	1596	720	1480	1172	80
3300	2330	1636	734	1508	1180	80
3540	2335	1650	674	1528	1210	80
3780	2679	1844	733	1600	1295	80
4050	2466	1740	712	1613	1278	90
4320	2557	1790	763	1659	1290	90
4590	2784	1889	780	1709	1384	90
4890	2923	2011	804	1746	1413	100
5250	2728	1910	846	1760	1364	100
5610	2788	1952	864	1798	1394	100
6000	3270	2033	829	1878	1525	110
6450	2920	2046	906	1885	1461	110
6900	2930	2064	932	1904	1512	110
7350	3072	2150	950	1982	1536	120
7800	3113	2179	965	2008	1556	120
8300	3208	2246	995	2070	1604	120
8700	3253	2270	1005	2097	1626	130
8900	3268	2275	1012	2108	1634	130
9300	3301	2311	1023	2129	1650	130
9900	3330	2360	1045	2175	1686	140
10200	3338	2372	1070	2186	1694	140
10500	3438	2407	1075	2217	1719	140
11100	3502	2452	1086	2259	1751	140
11700	3565	2495	1105	2295	1780	150
12300	3600	2520	1140	2325	1800	150
12900	3681	2577	1141	2374	1840	150
13500	3738	2616	1159	2411	1869	150
14100	3793	2655	1176	2446	1896	160
14700	3845	2690	1190	2480	1925	160
15400	3880	2716	1210	2502	1940	170
16100	3964	2775	1229	2557	1982	170
16900	4030	2820	1250	2600	2015	170
17800	4099	2869	1270	2644	2049	180
18800	4175	2920	1295	2690	2085	180
20000	4262	2985	1320	2750	2130	180
21500	4365	3055	1355	2815	2180	200
23000	4485	3125	1385	2880	2230	200
24500	4560	3190	1415	2940	2280	200
26000	4651	3256	1442	2999	2325	220
27500	4720	3315	1470	3055	2370	220
29000	4825	3375	1495	3110	2410	220



Danforth® Anchor

Overall Dimensions



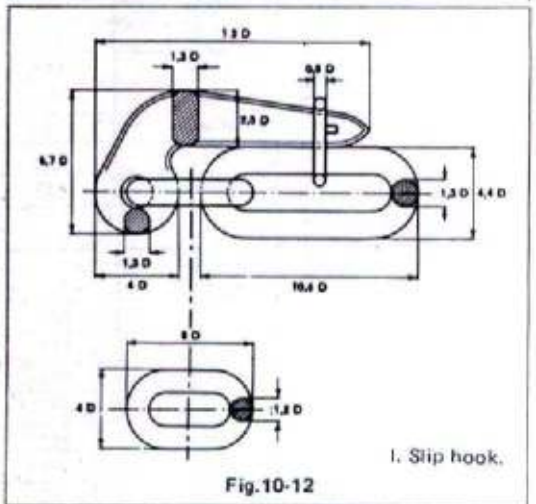
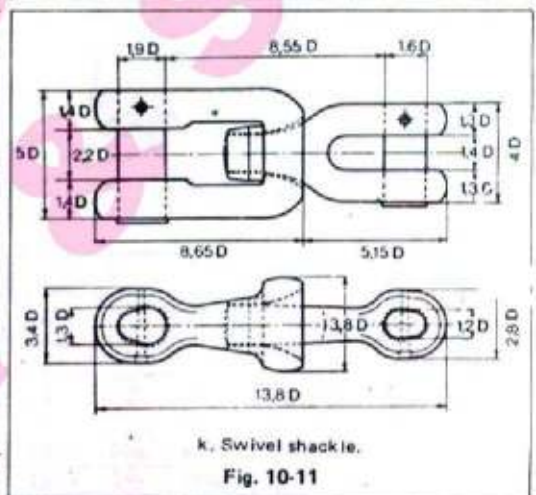
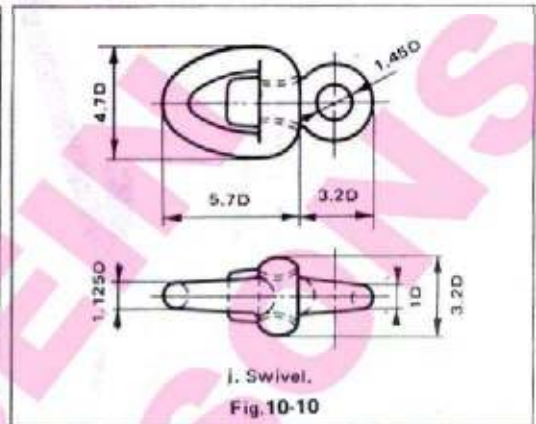
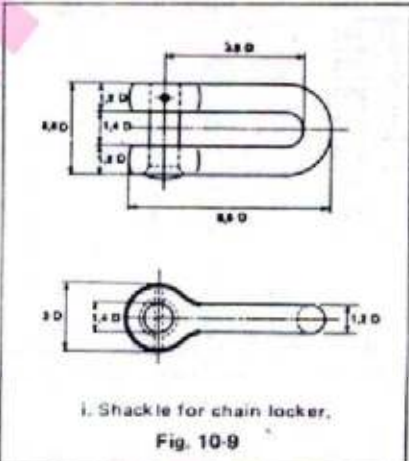
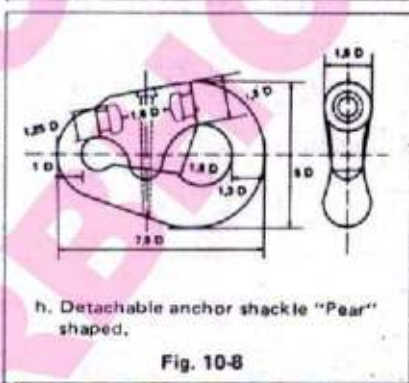
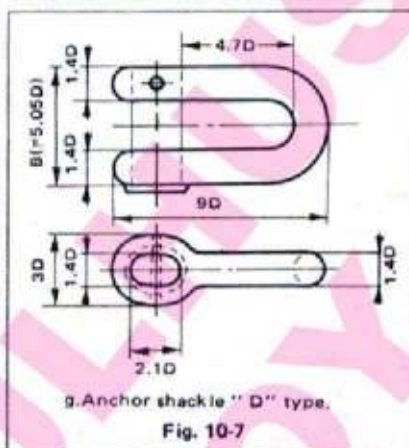
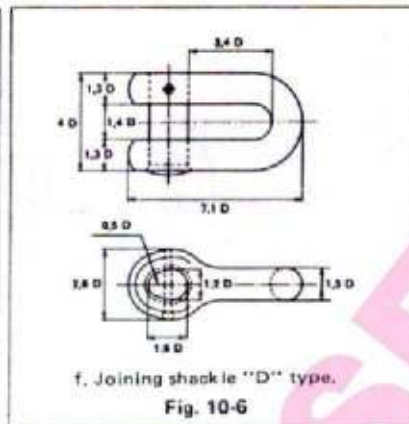
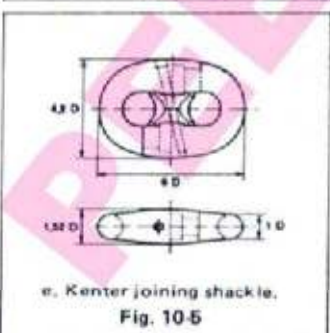
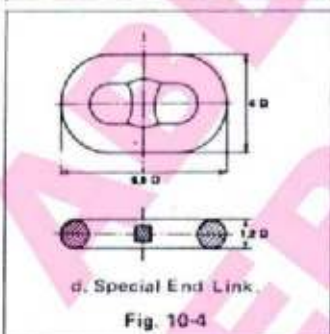
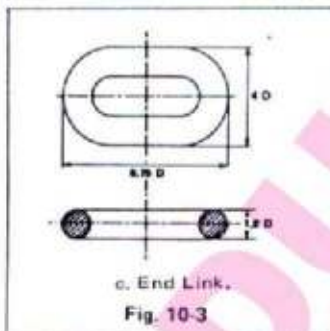
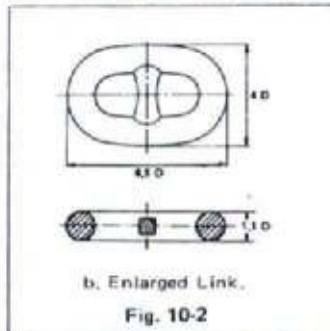
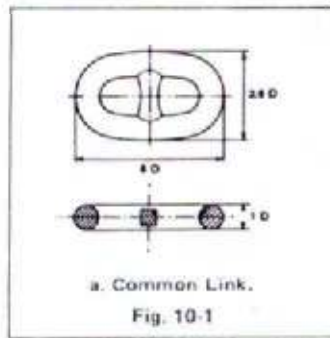
ANCHOR WEIGHT	A	B	C	D	E
200	52 ¹ / ₂	45 ¹ / ₂	33	6 ¹ / ₈	7 ⁷ / ₈
500	63	54 ¹ / ₂	39 ³ / ₄	15 ¹ / ₈	1 ¹ / ₂
1000	72	62	45 ³ / ₈	18 ³ / ₄	2
2000	83	71 ³ / ₄	52	22 ⁵ / ₈	2 ¹ / ₂
3000	94	89	59	14 ³ / ₈	3
4000	104	98 ³ / ₄	65 ¹ / ₂	15 ³ / ₈	3
5000	112	106 ¹ / ₂	70 ¹ / ₂	18	3 ³ / ₈
6000	118	112	74	18 ⁵ / ₈	3 ³ / ₄
8000	129	122 ¹ / ₂	77 ³ / ₈	20 ¹ / ₄	4 ¹ / ₈
10000	138	131	87	21 ⁷ / ₈	4 ¹ / ₂
12000	146	145	91	23	4 ³ / ₄
14000	152	152	95 ³ / ₄	24	5

ANCHOR WEIGHT	A	B	C	D	E
16000	160	160	101	25 ¹ / ₄	5 ¹ / ₄
20000	172	163	108 ³ / ₈	27 ¹ / ₄	5 ⁵ / ₈
30000	197	187	112	31 ¹ / ₄	6 ¹ / ₂
35000	207	196	118	33	6 ¹ / ₂
40000	216	205	123	34 ¹ / ₂	7
50000	232	222	133	37 ¹ / ₂	7 ¹ / ₂
60000	246	235	141	40	7 ¹ / ₂
70000	258	247	148	42	8
80000	271	259	156	44	8
90000	282	269	162	46	8 ¹ / ₂
100000	293	280	168	48	8 ¹ / ₂

Dimensions above are in inches, anchor weight in pounds. Certified drawings of anchors listed above, and of intermediate and larger sizes, will be furnished on request.

Steel Stud Link Chain & Fitting



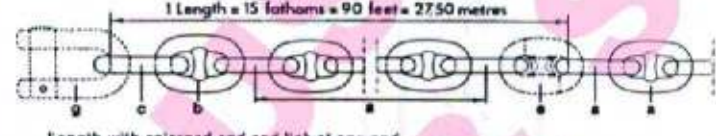
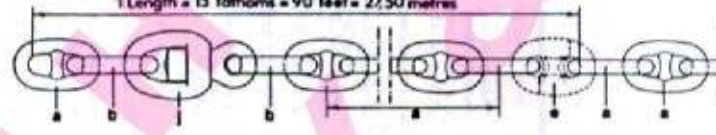
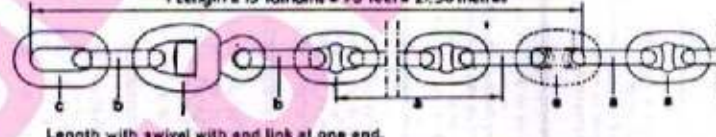
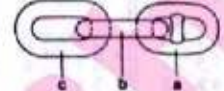



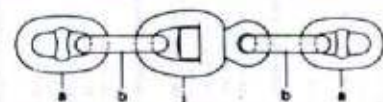

Stud Link Chain Cable & Fittings For Ships



D = Nominal diameter of chain.

Steel Stud Link Chain & Fitting

Standard Arrangements For Ships.

L-1	 <p>1 Length = 15 fathoms = 90 feet = 2750 metres</p> <p>Length with normal links only. Connection by kenter joining shackle.</p>
L-2	 <p>1 Length = 15 fathoms = 90 feet = 2750 metres</p> <p>Length with enlarged and end links at both ends. Connection by joining shackle "D" type.</p>
L-3	 <p>1 Length = 15 fathoms = 90 feet = 2750 metres</p> <p>Length with enlarged and end link at one end.</p>
L-4	 <p>1 Length = 15 fathoms = 90 feet = 2750 metres</p> <p>Length with swivel with normal links at both ends.</p>
L-5	 <p>1 Length = 15 fathoms = 90 feet = 2750 metres</p> <p>Length with swivel with end link at one end.</p>
E-1	 <p>Normal adaptor piece.</p>
E-2	 <p>Special adaptor piece.</p>
F-1	 <p>Swivel with 4 links (forerunner).</p>
F-2	 <p>Swivel with 4 links (forerunner).</p>
F-3	 <p>Swivel with 4 links (forerunner).</p>
F-4	 <p>Swivel with 3 links (forerunner).</p>

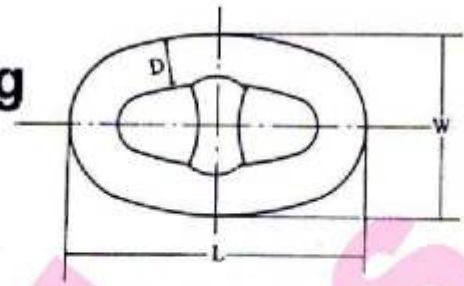
Steel Stud Link Chain & Fitting

Common Links(C/L)

$$D = d + \text{Tolerance}$$

$$L = 6d \begin{matrix} +0.15d \\ -0 \end{matrix}$$

$$W = 3.6d \begin{matrix} +0.10d \\ -0 \end{matrix}$$



Nominal Dia.d	Diameter D			Length L		Width W		
	Min.	Standard	Max.	Standard	Max.	Min.	Standard	Max.
mm	mm	mm	mm	mm	mm	mm	mm	mm
16	15.5	16.0	17.5	96.0	98.4	56.0	57.6	59.2
17.5	17.0	17.5	19.0	105.0	107.6	61.3	63.0	64.8
19	18.5	19.0	20.5	114.0	116.9	66.5	68.4	70.3
20.5	20.0	20.5	22.0	123.0	126.1	71.8	73.8	75.9
22	21.5	22.0	23.5	132.0	135.3	77.0	79.2	81.4
24	23.5	24.0	25.5	144.0	147.6	84.0	86.4	88.8
26	25.5	26.0	27.5	156.0	159.9	91.0	93.6	96.2
28	27.5	28.0	29.5	168.0	172.2	98.0	100.8	103.2
30	29.5	30.0	32.0	180.0	184.5	105.0	108.0	111.0
32	31.5	32.0	34.0	192.0	196.8	112.0	115.2	118.4
34	33.5	34.0	36.0	204.0	209.1	119.0	122.4	125.8
36	35.5	36.0	38.0	216.0	221.4	126.0	129.6	133.2
38	37.5	38.0	40.0	228.0	233.7	133.0	136.8	140.6
40	39.5	40.0	42.0	240.0	246.0	140.0	144.0	148.0
42	41.5	42.0	44.0	252.0	258.3	147.0	151.2	155.4
44	43.5	44.0	46.0	264.0	270.6	154.0	158.4	162.8
46	45.5	46.0	48.0	276.0	282.9	161.0	165.6	170.2
48	47.5	48.0	50.0	288.0	295.2	168.0	172.8	177.6
50	49.5	50.0	52.0	300.0	307.5	175.0	180.0	185.0
52	51.0	52.0	54.0	312.0	319.8	182.0	187.2	192.4
54	53.0	54.0	56.5	324.0	332.1	189.0	194.4	199.8
56	55.0	56.0	58.5	336.0	344.4	196.0	201.6	207.2
58	57.0	58.0	60.5	348.0	356.7	203.0	208.8	214.6
60	59.0	60.0	62.5	360.0	369.0	210.0	216.0	222.0
62	61.0	62.0	64.5	372.0	381.3	217.0	223.2	229.4
64	63.0	64.0	66.5	384.0	393.6	224.0	230.4	236.8
66	65.0	66.0	68.5	396.0	405.9	231.0	237.6	244.2
68	67.0	68.0	70.5	408.0	418.2	238.0	244.8	251.6
70	69.0	70.0	72.5	420.0	430.5	245.0	252.0	259.0
73	72.0	73.0	76.0	438.0	449.0	255.5	262.8	270.1
76	75.0	76.0	79.0	456.0	467.4	266.0	273.6	281.2
78	77.0	78.0	81.0	468.0	479.7	273.0	280.8	288.6
81	80.0	81.0	84.0	486.0	498.2	283.5	291.6	299.7
84	83.0	84.0	87.0	504.0	516.6	294.0	302.4	310.8
87	86.0	87.0	90.0	522.0	535.1	304.5	313.2	321.9
90	89.0	90.0	93.5	540.0	553.5	315.0	324.0	333.0
92	91.0	92.0	95.5	552.0	565.8	322.0	331.2	340.4
95	94.0	95.0	98.5	570.0	584.3	332.0	342.0	351.5
97	96.0	97.0	100.5	582.0	596.6	339.5	349.2	358.9
98	97.0	98.0	101.5	588.0	602.7	343.0	352.8	362.6
100	99.0	100.0	103.5	600.0	615.0	350.0	360.0	370.0
102	101.0	102.0	106.0	612.0	627.3	357.0	367.2	377.4
105	104.0	105.0	109.0	630.0	645.8	367.5	378.0	388.5
107	106.0	107.0	111.0	642.0	658.1	374.5	385.2	395.9
108	107.0	108.0	112.0	648.0	664.2	378.0	388.8	399.6
114	110.0	111.0	115.0	666.0	682.7	388.5	399.6	410.7
114	113.0	114.0	118.0	684.0	701.1	399.0	410.4	421.8
117	116.0	117.0	121.0	702.0	719.6	409.5	421.2	432.9
120	119.0	120.0	124.0	720.0	738.0	420.0	432.0	444.0
122	121.0	122.0	127.0	732.0	750.3	427.0	439.2	451.4
124	123.0	124.0	129.0	744.0	762.6	434.0	446.4	458.8
127	126.0	127.0	132.0	762.0	781.1	444.5	457.2	469.9
130	129.0	130.0	135.0	780.0	799.5	455.0	468.0	481.0
132	131.0	132.0	137.0	792.0	811.8	462.0	475.2	488.4
137	136.0	137.0	142.0	822.0	842.6	479.5	493.2	506.9
142	141.0	142.0	147.0	852.0	873.3	497.0	511.2	525.4
147	146.0	147.0	152.0	882.0	904.1	514.5	529.2	543.9
152	151.0	152.0	157.0	912.0	934.8	532.0	547.2	562.4

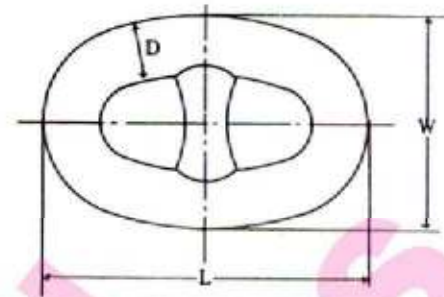
Steel Stud Link Chain & Fitting

Enlarge Links (EL/L)

$$D = 1.1d + \text{Tolerance}$$

$$L = 6.5d \begin{matrix} +0.15d \\ -0 \end{matrix}$$

$$W = 4d \begin{matrix} +0.1d \\ -0 \end{matrix}$$



Nominal Dia. d	Diameter D			Length L		Width W		
	Min.	Standard	Max.	Standard	Max.	Min.	Standard	Max.
mm	mm	mm	mm	mm	mm	mm	mm	mm
16	17.1	17.6	19.1	104.0	106.4	62.4	64.0	65.6
17.5	18.8	19.3	20.8	113.8	116.4	68.3	70.0	71.8
19	20.4	20.9	22.4	123.5	126.4	74.1	76.0	77.9
20.5	22.1	22.6	24.1	133.3	136.3	80.0	82.0	84.1
22	23.7	24.2	25.7	143.0	146.3	85.8	88.0	90.2
24	25.9	26.4	27.9	155.0	159.6	93.6	96.0	98.7
26	28.1	28.6	30.1	169.0	172.9	101.4	104.0	106.6
28	30.3	30.8	32.3	182.0	186.2	109.2	112.0	114.8
30	32.5	33.0	35.0	195.0	199.5	117.0	120.0	123.0
32	34.7	35.2	37.2	208.0	212.8	124.8	128.0	131.2
34	36.9	37.4	39.4	221.0	226.1	132.6	136.0	139.4
36	39.1	39.6	41.6	234.0	239.4	140.4	144.0	147.6
38	41.3	41.8	43.8	247.0	252.7	148.2	152.0	155.8
40	43.5	44.0	46.0	260.0	266.0	156.0	160.0	164.0
42	45.7	46.2	48.2	273.0	279.3	163.8	168.0	172.2
44	47.9	48.4	50.4	286.0	292.6	171.6	176.0	180.4
46	50.1	50.6	52.6	299.0	305.9	179.6	184.0	188.6
48	52.3	52.8	54.8	312.0	319.2	187.2	192.0	196.8
50	54.5	55.0	57.0	325.0	332.5	195.0	200.0	205.0
52	56.7	57.2	59.7	338.0	345.8	202.8	208.0	213.2
54	58.9	59.4	61.9	351.0	359.1	210.6	216.0	221.4
56	61.1	61.6	64.1	364.0	372.4	218.4	224.0	229.6
58	63.3	63.8	66.3	377.0	385.7	226.2	232.0	237.8
60	65.5	66.0	68.5	390.0	399.0	234.0	240.0	246.0
62	67.7	68.2	70.7	403.0	412.3	241.8	248.0	254.2
64	69.9	70.4	72.9	416.0	425.6	249.6	256.0	262.4
66	72.1	72.6	75.1	429.0	438.9	257.4	264.0	270.6
68	74.3	74.8	77.3	442.0	452.2	265.2	272.0	278.8
70	76.5	77.0	79.5	455.0	465.5	273.0	280.0	287.0
73	79.3	80.3	83.3	474.5	485.5	284.7	292.0	299.3
76	82.6	83.6	86.6	494.0	505.4	296.4	304.0	311.6
78	84.8	85.8	88.8	507.0	518.7	304.2	312.0	319.8
81	88.1	89.1	92.1	526.5	538.7	315.9	324.0	332.1
84	91.4	92.4	95.4	546.0	558.6	327.6	336.0	344.4
87	94.7	95.7	98.7	565.5	578.6	339.3	348.0	356.7
90	98.0	99.0	102.5	585.0	598.5	351.0	360.0	369.0
92	100.2	101.2	104.7	598.0	611.8	358.8	368.0	377.2
95	103.5	104.5	108.0	617.5	631.8	370.5	380.0	389.5
97	105.7	106.7	110.2	630.0	645.1	378.3	388.0	397.7
98	106.8	107.8	111.3	637.0	651.7	382.2	392.0	401.8
100	109.0	110.0	113.5	650.0	665.0	390.0	400.0	410.0
102	111.2	112.2	116.2	663.0	678.3	397.8	408.0	418.2
105	114.5	115.5	119.5	682.5	698.3	409.5	420.0	430.5
107	116.7	117.7	121.7	695.5	711.6	417.3	428.0	438.7
108	117.8	118.8	122.8	702.0	718.2	421.2	432.0	442.8
111	121.1	122.1	126.1	721.5	738.2	432.9	444.0	455.1
114	124.4	125.4	129.4	741.0	758.1	444.6	456.0	467.4
117	127.7	128.7	132.7	760.5	778.1	456.3	468.0	479.7
120	131.0	132.0	136.0	780.0	798.0	468.0	480.0	492.0
122	133.2	134.2	139.2	793.0	811.3	475.8	488.0	500.2
124	135.4	136.4	141.4	806.0	824.6	483.6	496.0	508.4
127	138.7	139.7	144.7	825.5	844.6	495.3	508.0	520.7
130	142.0	143.0	148.0	845.0	864.5	507.0	520.0	533.0
132	144.2	145.2	150.2	858.0	877.8	514.8	528.0	541.2
137	149.7	150.7	155.7	890.5	911.1	534.3	548.0	561.7
142	155.2	156.2	161.2	923.0	944.3	553.8	568.0	582.2
147	160.7	161.7	166.7	955.5	977.6	573.3	588.0	602.7
152	166.2	167.2	172.2	988.0	1010.8	592.8	608.0	623.2

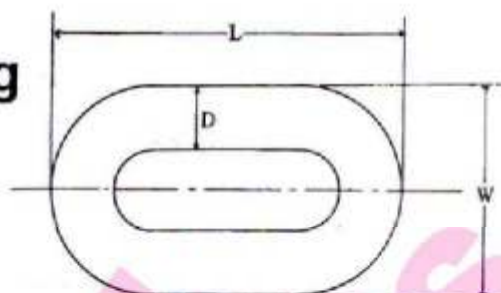
Steel Stud Link Chain & Fitting

End Links (E/L)

$$D = 1.2d + \text{Tolerance}$$

$$L = 6.75d \begin{matrix} +0.15d \\ -0 \end{matrix}$$

$$W = 4D \begin{matrix} +0.15d \\ -0 \end{matrix}$$



Nominal Dia. d	Diameter D			Length L		Width W	
	Min.	Standard	Max.	Standard	Max.	Standard	Max.
mm	mm	mm	mm	mm	mm	mm	mm
16	18.7	19.2	20.7	108.0	110.4	64.0	66.4
17.5	20.5	21.0	22.5	118.1	120.8	70.0	72.6
19	22.3	22.8	24.3	128.3	131.1	76.0	78.9
20.5	24.1	24.6	26.1	138.4	141.5	82.0	85.1
22	25.9	26.4	27.9	148.5	151.8	88.0	91.3
24	28.3	28.8	30.3	162.0	165.6	96.0	99.6
26	30.7	31.2	32.7	175.5	179.4	104.0	107.9
28	33.1	33.6	35.1	189.0	193.2	112.0	116.2
30	35.5	36.0	38.0	202.5	207.0	120.0	124.5
32	37.9	38.4	40.4	216.0	220.8	128.0	132.8
34	40.3	40.8	42.8	229.5	234.6	136.0	141.1
36	42.7	43.2	45.2	243.0	248.4	144.0	149.4
38	45.1	45.6	47.6	256.5	262.2	152.0	157.7
40	47.5	48.0	50.0	270.0	276.0	160.0	166.0
42	49.9	50.4	52.4	283.5	289.8	168.0	174.3
44	52.3	52.8	54.8	297.0	303.6	176.0	182.6
46	54.7	55.2	57.2	310.5	317.4	184.0	190.9
48	57.1	57.6	59.6	324.0	331.2	192.0	199.2
50	59.5	60.0	62.0	337.5	345.0	200.0	207.5
52	61.9	62.4	64.9	351.0	358.8	208.0	215.8
54	64.3	64.8	67.3	364.5	372.6	216.0	224.1
56	66.7	67.2	69.7	378.0	386.4	224.0	232.4
58	69.1	69.6	72.1	391.5	400.2	232.0	240.7
60	71.5	72.0	74.5	405.0	414.0	240.0	249.0
62	73.9	74.4	76.9	418.5	427.8	248.0	257.3
64	76.3	76.8	79.3	432.0	441.6	256.0	265.6
66	78.7	79.2	81.7	445.5	455.4	264.0	273.9
68	81.1	81.6	84.1	459.0	469.2	272.0	282.2
70	83.5	84.0	86.5	472.5	483.0	280.0	290.5
73	86.6	87.6	90.6	492.8	503.7	292.0	303.0
76	90.2	91.2	94.2	513.0	524.4	304.0	315.4
78	92.6	93.6	96.6	526.5	538.2	312.0	323.7
81	96.2	97.2	100.2	546.8	558.9	324.0	336.2
84	99.8	100.8	103.8	567.0	579.6	336.0	348.6
87	103.4	104.4	107.4	587.3	600.3	348.0	361.1
90	107.0	108.0	111.5	607.5	621.0	360.0	373.5
92	109.4	110.4	113.9	621.0	634.8	368.0	381.8
95	113.0	114.0	117.5	641.3	655.5	380.0	394.3
97	115.4	116.4	119.9	654.8	669.3	388.0	402.6
98	116.6	117.6	121.1	661.5	676.2	392.0	406.7
100	119.0	120.0	123.5	675.0	690.0	400.0	415.0
102	121.4	122.4	126.4	688.5	703.8	408.0	423.3
105	125.0	126.0	130.0	708.8	724.5	420.0	435.8
107	127.4	128.4	132.4	722.3	738.3	428.0	444.1
108	128.6	129.6	133.6	729.0	745.2	432.0	448.2
114	132.2	133.2	137.2	749.3	765.9	444.0	460.7
114	135.8	136.8	140.8	769.5	786.6	456.0	473.1
117	139.4	140.4	144.4	789.8	807.3	468.0	485.6
120	143.0	144.0	148.0	810.0	828.0	480.0	498.0
122	145.4	146.4	151.4	823.5	841.8	488.0	506.3
124	147.8	148.8	153.8	837.0	855.6	496.0	514.6
127	151.4	152.4	157.4	857.3	876.3	508.0	527.1
130	155.0	156.0	161.0	877.5	897.0	520.0	539.5
132	157.4	158.4	163.4	891.0	910.8	528.0	547.8
137	163.4	164.4	169.4	924.8	945.3	548.0	568.6
142	169.4	170.4	175.4	958.5	979.8	568.0	589.3
147	175.4	176.4	181.4	992.3	1014.3	588.0	610.1
152	181.4	182.4	187.4	1026.0	1048.8	608.0	630.8

Steel Stud Link Chain & Fitting

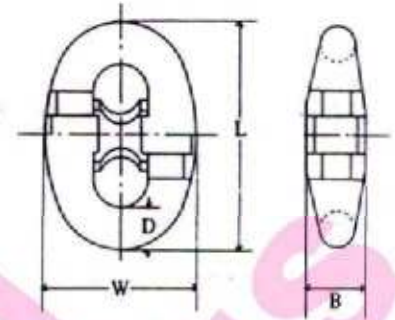
Kenter Shackles (K/S)

$$D = d + \text{Tolerance}$$

$$L = 6d \begin{matrix} +0.15d \\ -0 \end{matrix}$$

$$W = 4.2d \begin{matrix} +0.10d \\ -0.10d \end{matrix}$$

$$B = 1.52d$$



Nominal Dia.d	Diameter D			Length L		Width W			B
	Min.	Standard	Max.	Standard	Max.	Min.	Standard	Max.	
mm	mm	mm	mm	mm	mm	mm	mm	mm	mm
16	15.5	16.0	17.5	96	98.4	65.6	67.2	68.8	24.3
17.5	17.0	17.5	19.0	105	107.6	71.8	73.5	75.3	26.6
19	18.5	19.0	20.5	114	116.9	77.9	79.8	81.7	28.9
20.5	20.0	20.5	22.0	123	126.1	84.1	86.1	88.2	31.2
22	21.5	22.0	23.5	132	135.3	90.2	92.4	94.6	33.4
24	23.5	24.0	25.5	144	147.6	98.4	100.8	103.2	36.5
26	25.5	26.0	27.5	156	159.9	106.6	109.2	111.8	39.5
28	27.5	28.0	29.5	168	172.2	114.8	117.6	120.4	42.6
30	29.5	30.0	32.0	180	184.5	123.0	126.0	129.0	45.6
32	31.5	32.0	34.0	192	196.8	131.2	134.4	137.6	48.6
34	33.5	34.0	36.0	204	209.1	139.4	142.8	146.2	51.7
36	35.5	36.0	38.0	216	221.4	147.6	151.2	154.8	54.7
38	37.5	38.0	40.0	228	233.7	155.8	159.6	163.4	57.8
40	39.5	40.0	42.0	240	246.0	164.0	168.0	172.0	60.8
42	41.5	42.0	44.0	252	258.3	172.2	176.4	180.6	63.8
44	43.5	44.0	46.0	264	270.6	180.4	184.8	189.2	66.9
46	45.5	46.0	48.0	276	282.9	188.6	193.2	197.8	69.9
48	47.5	48.0	50.0	288	295.2	196.8	201.6	206.4	73.0
50	49.5	50.0	52.0	300	307.5	205.0	210.0	215.0	76.0
52	51.0	52.0	54.5	312	319.8	213.2	218.4	223.6	79.0
54	53.0	54.0	56.5	324	332.1	221.4	226.8	232.2	82.1
56	55.0	56.0	58.5	336	344.4	229.6	235.2	240.8	85.1
58	57.0	58.0	60.5	348	356.7	237.8	243.6	249.4	88.2
60	59.0	60.0	62.5	360	369.0	246.0	252.0	258.0	91.2
62	61.0	62.0	64.5	372	381.3	254.2	260.4	266.6	94.2
64	63.0	64.0	66.5	384	393.6	262.4	268.8	275.2	97.3
66	65.0	66.0	68.5	396	405.9	270.6	277.2	283.8	100.3
68	67.0	68.0	70.5	408	418.2	278.8	285.6	292.4	103.4
70	69.0	70.0	72.5	420	430.5	287.0	294.0	301.0	106.4
73	72.0	73.0	76.0	438	449.0	299.3	306.6	313.9	111.0
76	75.0	76.0	79.0	456	467.4	311.6	319.2	326.8	115.5
78	77.0	78.0	81.0	468	479.7	319.8	327.6	335.4	118.6
81	80.0	81.0	84.0	486	498.2	332.1	340.2	348.3	123.1
84	83.0	84.0	87.0	504	516.6	344.4	352.8	361.2	127.7
87	86.0	87.0	90.0	522	535.1	356.7	365.4	374.1	132.2
90	89.0	90.0	93.5	540	553.5	369.0	378.0	387.0	136.8
92	91.0	92.0	95.5	552	565.8	377.2	386.4	395.6	139.8
95	94.0	95.0	98.5	570	584.3	389.5	399.0	408.5	144.4
97	96.0	97.0	100.5	582	596.6	397.7	407.4	417.1	147.4
98	97.0	98.0	101.5	588	602.7	401.8	411.6	421.4	149.0
100	99.0	100.0	103.5	600	615.0	410.0	420.0	430.0	152.0
102	101.0	102.0	106.0	612	627.3	418.2	428.4	438.6	155.0
105	104.0	105.0	109.0	630	645.8	430.5	441.0	451.5	159.6
107	106.0	107.0	111.0	642	658.1	438.7	449.4	460.1	162.6
108	107.0	108.0	112.0	648	664.2	442.8	453.6	464.4	164.2
111	110.0	111.0	115.0	666	682.7	455.1	466.2	477.3	168.7
114	113.0	114.0	118.0	684	701.1	467.4	478.8	490.2	173.3
117	116.0	117.0	121.0	702	719.6	479.7	491.4	503.1	177.8
120	119.0	120.0	124.0	720	738.0	492.0	504.0	516.0	182.4
122	121.0	122.0	127.0	732	750.3	500.2	512.4	524.6	185.4
124	123.0	124.0	129.0	744	762.6	508.4	520.8	533.2	188.5
127	126.0	127.0	132.0	762	781.1	520.7	533.4	546.1	193.0
130	129.0	130.0	135.0	780	799.5	533.0	546.0	559.0	197.6
132	131.0	132.0	137.0	792	811.8	541.2	554.4	567.6	200.6
137	136.0	137.0	142.0	822	842.6	561.7	575.4	589.1	208.2
142	141.0	142.0	147.0	852	873.3	582.2	596.4	610.6	215.8
147	146.0	147.0	152.0	882	904.1	602.7	617.4	632.1	223.4
152	151.0	152.0	157.0	912	934.8	623.2	638.4	653.6	231.0

Steel Stud Link Chain & Fitting

Joining Shackles (J/S)

$$D = 1.3d + \text{Tolerance}$$

$$L = 7.1d + \begin{matrix} 0.15d \\ 0 \end{matrix}$$

$$W = 4d + \begin{matrix} 0.15d \\ 0 \end{matrix}$$

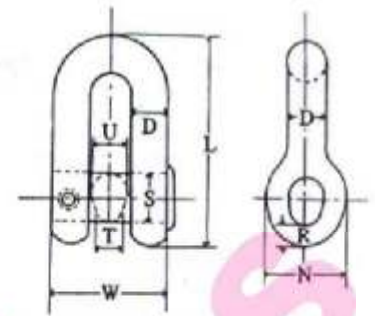
$$R = 0.8d$$

$$N = 2.8d$$

$$S = 1.6d$$

$$U = 1.2d$$

$$T = 1.0d$$



Nominal Dia. d	Diameter D			Length L		Width W		R	N	S	U	T
	Min.	Standard	Max.	Standard	Max.	Standard	Max.					
mm	mm	mm	mm	mm	mm	mm	mm	mm	mm	mm	mm	mm
16	20.3	20.8	22.3	113.6	116.0	64	66.4	12.8	44.3	25.6	19.2	16.0
17.5	22.3	22.8	24.3	124.3	126.9	70	72.6	14.0	49.0	28.0	21.0	17.5
19	24.2	24.7	26.2	134.9	137.8	76	78.9	15.2	53.2	30.4	22.8	19.0
20.5	26.2	26.7	28.2	145.6	148.6	82	85.1	16.4	57.4	32.8	24.6	20.5
22	28.1	28.6	30.1	156.2	159.5	88	91.3	17.6	61.6	35.2	26.4	22
24	30.7	31.2	32.7	170.4	174.0	96	99.6	19.2	67.2	38.4	28.8	24
26	33.3	33.8	35.3	184.6	188.5	104	107.9	20.8	72.8	41.6	31.2	26
28	35.9	36.4	37.9	198.8	203.0	112	116.2	22.4	78.4	44.8	33.6	28
30	38.5	39.0	41.0	213.0	217.5	120	124.5	24.0	84.0	48.0	36.0	30
32	41.1	41.6	43.6	227.2	232.0	128	132.8	25.6	89.6	51.2	38.4	32
34	43.7	44.2	46.2	241.4	246.5	136	141.1	27.2	95.2	54.4	40.8	34
36	46.3	46.8	48.8	255.6	261.0	144	149.4	28.8	100.8	57.6	43.2	36
38	48.9	49.4	51.4	269.8	275.5	152	157.7	30.4	106.4	60.8	45.6	38
40	51.5	52.0	54.0	284.0	290.0	160	166.0	32.0	112.0	64.0	48.0	40
42	54.1	54.6	56.6	298.2	304.5	168	174.3	33.6	117.6	67.2	50.4	42
44	56.7	57.2	59.2	312.4	319.0	176	182.6	35.2	123.2	70.4	52.8	44
46	59.3	59.8	61.8	326.6	333.5	184	190.9	36.8	128.8	73.6	55.2	46
48	61.9	62.4	64.4	340.8	348.0	192	199.2	38.4	134.4	76.8	57.6	48
50	64.5	65.0	67.0	355.0	362.5	200	207.5	40.0	140.0	80.0	60.0	50
52	66.6	67.6	70.1	369.2	377.0	208	215.8	41.6	145.6	83.2	62.4	52
54	69.2	70.2	72.7	383.4	391.5	216	224.1	43.2	151.2	86.4	64.8	54
56	71.8	72.8	75.3	397.6	406.0	224	232.4	44.8	156.8	89.6	67.2	56
58	74.4	75.4	77.9	411.8	420.5	232	240.7	46.4	162.4	92.8	69.6	58
60	77.0	78.0	80.5	426.0	435.0	240	249.0	48.0	168.0	96.0	72.0	60
62	79.6	80.6	83.1	440.2	449.5	248	257.3	49.6	173.6	99.2	74.4	62
64	82.2	83.2	85.7	454.4	464.0	256	265.6	51.2	179.2	102.4	76.8	64
66	84.8	85.8	88.3	468.6	478.5	264	273.9	52.8	184.8	105.6	79.2	66
68	87.4	88.4	90.9	482.8	493.0	272	282.2	54.4	190.4	108.8	81.6	68
70	90.0	91.0	93.5	497.0	507.5	280	290.5	56.0	196.0	112.0	84.0	70
73	93.9	94.9	97.9	518.3	529.3	292	303.0	58.4	204.4	116.8	87.6	73
76	97.8	98.8	101.8	539.6	551.0	304	315.4	60.8	212.8	121.6	91.2	76
78	100.4	101.4	104.4	553.8	565.5	312	323.7	62.4	218.4	124.8	93.6	78
81	104.3	105.3	108.3	575.1	587.3	324	336.2	64.8	226.8	129.6	97.2	81
84	108.2	109.2	112.2	596.4	609.0	336	348.6	67.2	235.2	134.4	100.8	84
87	112.1	113.1	116.1	617.7	630.8	348	361.1	69.6	243.6	139.2	104.4	87
90	116.0	117.0	120.5	637.0	652.5	360	373.5	72.0	252.0	144.0	108.0	90
92	118.6	119.6	123.1	653.2	667.0	368	381.8	73.6	257.6	147.2	110.4	92
95	122.5	123.5	127.0	674.5	688.8	380	394.3	76.0	266.0	152.0	114.0	95
97	125.1	126.1	129.6	688.7	703.3	388	402.6	77.6	271.6	155.2	116.4	97
98	126.4	127.4	130.9	695.8	710.5	392	406.7	78.4	274.4	156.8	117.6	98
100	129.0	130.0	133.5	710.0	725.0	400	415.0	80.0	280.0	160.0	120.0	100
102	131.6	132.6	136.6	724.2	739.5	408	423.3	81.6	285.6	163.2	122.4	102
105	135.5	136.5	140.5	745.5	761.3	420	435.8	84.0	294.0	168.0	126.0	105
107	138.1	139.1	143.1	759.7	775.8	428	444.1	85.6	299.6	171.2	128.4	107
108	139.4	140.4	144.4	766.8	783.0	432	448.2	86.4	302.4	172.8	129.6	108
111	143.3	144.3	148.3	788.1	804.8	444	460.7	88.8	310.8	177.6	133.2	111
114	147.2	148.2	152.2	809.4	826.5	456	473.1	91.2	319.2	182.4	136.8	114
117	151.1	152.1	156.1	830.7	848.3	468	485.6	93.6	327.6	187.2	140.4	117
120	155.0	156.0	160.0	852.0	870.0	480	498.0	96.0	336.0	192.0	144.0	120
122	157.6	158.6	163.6	866.2	884.5	488	506.3	97.6	341.6	195.2	146.4	122
124	160.2	161.2	166.2	880.4	899.0	496	514.6	99.2	347.2	198.4	148.8	124
127	164.1	165.1	170.1	901.7	920.8	508	527.1	101.6	355.6	203.2	152.4	127
130	168.0	169.0	174.0	923.0	942.5	520	539.5	104.0	364.0	208.0	156.0	130
132	170.6	171.6	176.6	937.2	957.0	528	547.8	105.6	369.6	211.2	158.4	132
137	177.1	178.1	183.1	972.7	993.3	548	568.6	109.6	383.6	219.2	164.4	137
142	183.6	184.6	189.6	1008.2	1029.5	568	589.3	113.6	397.6	227.2	170.4	142
147	190.1	191.1	196.1	1043.7	1065.8	588	610.1	117.6	411.6	235.2	176.4	147
152	196.6	197.6	202.6	1079.2	1102.0	608	630.8	121.6	425.6	243.2	182.4	152

Steel Stud Link Chain & Fitting

Anchor Shackles (A/S)

$$D = 1.4 d + \text{Tolerance}$$

$$S = 2.1 d$$

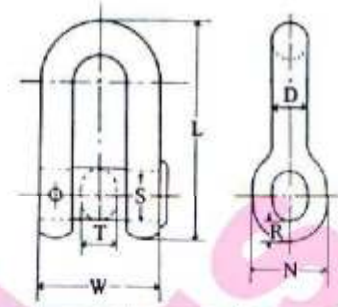
$$L = 9d \begin{matrix} +0.15d \\ -0 \end{matrix}$$

$$T = 1.4 d$$

$$W = 5.05 d \begin{matrix} +0.15d \\ -0 \end{matrix}$$

$$R = 0.8 d$$

$$N = 3.0 d$$

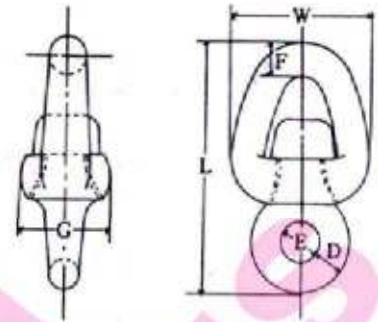


Nominal Dia.d	Diameter D			Length L		Width W		R	N	S	T
	Min.	Standard	Max.	Standard	Max.	Standard	Max.				
mm	mm	mm	mm	mm	mm	mm	mm	mm	mm	mm	mm
16	21.9	22.4	23.9	144.0	146.4	95	97.4	12.8	48.0	33.6	22.4
17.5	24.0	24.5	26.0	157.5	160.1	104	106.6	14.0	52.5	36.8	24.5
19	26.1	26.6	28.1	171.0	173.9	112	114.9	15.2	57.0	39.9	26.6
20.5	28.2	28.7	30.2	184.5	187.6	118	120.6	16.4	61.5	43.1	28.7
22	30.3	30.8	32.3	198.0	201.3	125	128.1	17.6	66.0	46.2	30.8
24	33.1	33.6	35.1	216	219.6	134	137.6	19.2	72	50.4	33.6
26	35.9	36.4	37.9	234	237.9	143	146.9	20.8	78	54.6	36.4
28	38.7	39.2	40.7	252	256.2	151	155.2	22.4	84	58.8	39.2
30	41.5	42.0	44.0	270	274.5	160	164.5	24.0	90	63.0	42.0
32	44.3	44.8	46.8	288	292.8	169	173.8	25.6	96	67.2	44.8
34	47.1	47.6	49.6	306	311.1	180	185.1	27.2	102	71.4	47.6
36	49.9	50.4	52.4	324	329.4	187	192.4	28.8	108	75.6	50.4
38	52.7	53.2	55.2	342	347.7	196	201.7	30.4	114	79.8	53.2
40	55.5	56.0	58.0	360	366.0	210	216.0	32.0	120	84.0	56.0
42	58.3	58.8	60.8	378	384.3	219	225.3	33.6	126	88.2	58.8
44	61.1	61.6	63.6	396	402.6	226	232.0	35.2	132	92.4	61.6
46	63.9	64.4	66.4	414	420.9	236	242.9	36.8	138	96.6	64.4
48	66.7	67.2	69.2	432	439.2	244	251.2	38.4	144	100.8	67.2
50	69.5	70.0	72.0	450	457.5	255	262.5	40.0	150	105.0	70.0
52	71.8	72.8	75.3	468	475.8	263	270.8	41.6	156	109.2	72.8
54	74.6	75.6	78.1	486	494.1	273	281.1	43.2	162	113.4	75.6
56	77.4	78.4	80.9	504	512.4	283	291.4	44.8	168	117.6	78.4
58	80.2	81.2	83.7	522	530.7	293	301.7	46.4	174	121.8	81.2
60	83.0	84.0	86.5	540	549.0	303	312.0	48.0	180	126.0	84.0
62	85.8	86.8	89.3	558	567.3	314	323.3	49.6	186	130.2	86.8
64	88.6	89.6	92.1	576	585.6	324	333.6	51.2	192	134.4	89.6
66	91.4	92.4	94.9	594	603.9	334	343.9	52.8	198	138.6	92.4
68	94.2	95.2	97.7	612	622.2	344	354.2	54.4	204	142.8	95.2
70	97.0	98.0	100.5	630	640.5	354	364.5	56.0	210	147.0	98.0
73	101.2	102.2	105.2	657	668.0	369	378.9	58.4	219	153.3	102.2
76	105.4	106.4	109.4	684	695.4	382	393.4	60.8	228	159.6	106.4
78	108.2	109.2	112.2	702	713.7	394	405.7	62.4	234	163.8	109.2
81	112.4	113.4	116.4	729	741.2	410	422.1	64.8	243	170.1	113.4
84	116.6	117.6	120.6	756	768.6	425	437.6	67.2	252	176.4	117.6
87	120.8	121.8	124.8	783	796.1	440	453.0	69.6	261	182.7	121.8
90	125.0	126.0	129.5	810	823.5	455	468.5	72.0	270	189.0	126.0
92	127.8	128.8	132.3	828	841.8	465	478.8	73.6	276	193.2	128.8
95	132.0	133.0	136.5	855	869.3	480	494.2	76.0	285	199.5	133.0
97	134.8	135.8	139.3	873	887.6	490	504.4	77.6	291	203.7	135.8
98	136.2	137.2	140.7	882	896.7	495	509.7	78.4	294	205.8	137.2
100	139.0	140.0	143.5	900	915.0	505	520.0	80.0	300	210.0	140.0
102	141.8	142.8	146.8	918	933.3	516	531.3	81.6	306	214.2	142.8
105	146.0	147.0	151.0	945	960.8	531	546.7	84.0	315	220.5	147.0
107	148.8	149.8	153.8	963	979.1	540	556.4	85.6	321	224.7	149.8
108	150.2	151.2	155.2	972	988.2	546	562.2	86.4	324	226.8	151.2
111	154.4	155.4	159.4	999	1015.7	561	577.6	88.8	333	233.1	155.4
114	158.6	159.6	163.6	1026	1043.1	576	593.1	91.2	342	239.4	159.6
117	162.8	163.8	167.8	1053	1070.6	591	608.5	93.6	351	245.7	163.8
120	167.0	168.0	172.0	1080	1098.0	606	624.0	96.0	360	252.0	168.0
122	169.8	170.8	175.8	1098	1116.3	617	635.3	97.6	366	256.2	170.8
124	172.6	173.6	178.6	1116	1134.6	627	645.6	99.2	372	260.4	173.6
127	176.8	177.8	182.8	1143	1162.1	642	660.4	101.6	381	266.7	177.8
130	181.0	182.0	187.0	1170	1189.5	657	676.0	104.0	390	273.0	182.0
132	183.8	184.8	189.8	1188	1207.8	667	686.8	105.6	396	277.2	184.8
137	190.8	191.8	196.8	1233	1253.6	692	712.5	109.6	411	287.7	191.8
142	197.8	198.8	203.8	1278	1299.3	718	739.3	113.6	426	298.2	198.8
147	204.8	205.8	210.8	1323	1345.1	743	765.0	117.6	441	308.7	205.8
152	211.8	212.8	217.8	1368	1390.8	768	790.8	121.6	456	319.2	212.8

Steel Stud Link Chain & Fitting

Swivel Pieces (S/P)

$D = SC\ 1.0d$ $SF\ 1.1d + \text{Tolerance}$ $W = 4.7d$
 $L = SC\ 8.9d$ $SF\ 8.8d \begin{smallmatrix} +0.15d \\ -0 \end{smallmatrix}$ $F = 1.125d$
 $E = SC\ 1.45d$ $SF\ 1.25d \begin{smallmatrix} +0.15d \\ -0 \end{smallmatrix}$ $G = 3.2b$



Nominal Dia. d	Cast Steel						W		F	G	Forged Steel		
	D			L			Standard	Max.			D	L	E
	Min.	Standard	Max.	Standard	Max.	E							
	mm	mm	mm	mm	mm	mm	mm	mm			mm	mm	mm
16	15.5	16.0	17.5	142.4	144.8	23.2	75.2	77.6	18.0	51.2	17.6	140.8	20.0
17.5	17.0	17.5	19.0	155.8	158.4	25.4	82.3	84.9	19.7	56.0	19.3	154.0	21.9
19	18.5	19.0	20.5	169.1	172.0	27.6	89.3	92.2	21.4	60.8	20.9	167.2	23.8
20.5	20.0	20.5	22.0	182.5	185.5	29.7	96.4	99.4	23.1	65.6	22.6	180.4	25.6
22	21.5	22	23.5	195.8	199.1	31.9	103.4	106.7	24.8	70.4	24.2	193.6	27.5
24	23.5	24	25.5	213.6	217.2	34.8	112.8	116.4	27.0	76.8	26.4	211.2	30.0
26	25.5	26	27.5	231.4	235.3	37.7	122.2	126.1	29.3	83.2	28.6	228.8	32.5
28	27.5	28	29.5	249.2	253.5	40.6	131.6	135.8	31.5	89.6	30.8	246.4	35.0
30	29.5	30	32.0	267.0	271.5	43.5	141.0	145.5	33.8	96.0	33.0	264.0	37.5
32	31.5	32	34.0	284.8	289.6	46.4	150.4	155.2	36.0	102.4	35.2	281.6	40.0
34	33.5	34	36.0	302.6	307.7	49.3	159.8	164.9	38.3	108.8	37.4	299.2	42.5
36	35.5	36	38.0	320.4	325.8	52.2	169.2	174.6	40.5	115.2	39.6	316.8	45.0
38	37.5	38	40.0	338.2	343.9	55.1	178.6	184.3	42.8	121.6	41.8	334.4	47.5
40	39.5	40	42.0	356.0	362.0	58.0	188.0	194.0	45.0	128.0	44.0	352.0	50.0
42	41.5	42	44.0	373.8	380.1	60.9	197.4	203.7	47.3	134.4	46.2	369.6	52.5
44	43.5	44	46.0	391.6	398.2	63.8	206.8	213.4	49.5	140.8	48.4	387.2	55.0
46	45.5	46	48.0	409.4	416.3	66.7	216.2	223.1	51.8	147.2	50.6	404.8	57.5
48	47.5	48	50.0	427.2	434.4	69.6	225.6	232.8	54.0	153.6	52.8	422.4	60.0
50	49.5	50	52.0	445.0	452.5	72.5	235.0	242.5	56.3	160.0	55.0	440.0	62.5
52	51.0	52	54.5	462.8	470.6	75.4	244.4	252.2	58.5	166.4	57.2	457.6	65.0
54	53	54	56.5	480.6	488.7	78.3	253.8	261.9	60.8	172.8	59.4	475.2	67.5
56	55	56	58.5	498.4	506.8	81.2	263.2	271.6	63.0	179.2	61.6	492.8	70.0
58	57	58	60.5	516.2	524.9	84.1	272.6	281.3	65.3	185.6	63.8	510.4	72.5
60	59	60	62.5	534.0	543.0	87.0	282.0	291.0	67.5	192.0	66.0	528.0	75.0
62	61	62	64.5	551.8	561.1	89.9	291.4	300.7	69.8	198.4	68.2	545.6	77.5
64	63	64	66.5	569.6	579.2	92.8	300.8	310.4	72.0	204.8	70.4	563.2	80.0
66	65	66	68.5	587.4	597.3	95.7	310.2	320.1	74.3	211.2	72.6	580.8	82.5
68	67	68	70.5	605.2	615.4	98.6	319.6	329.8	76.5	217.6	74.8	598.4	85.0
70	69	70	72.5	623.0	633.5	101.5	329.0	339.5	78.8	224.0	77.0	616.0	87.5
73	72	73	76.0	649.7	660.7	105.9	343.1	354.1	82.1	233.6	80.3	642.4	91.3
76	75	76	79.0	676.4	687.8	110.2	357.2	368.6	85.5	243.2	83.6	668.8	95.0
78	77	78	81.0	694.2	705.9	113.1	366.6	378.3	87.8	249.6	85.8	686.4	97.5
81	80	81	84.0	720.9	733.1	117.5	380.7	392.9	91.1	259.2	89.1	721.8	101.3
84	83	84	87.0	747.6	760.2	121.8	394.8	407.4	94.5	268.8	92.4	739.2	105.0
87	86	87	90.0	774.3	787.4	126.2	408.9	422.0	97.9	278.4	95.7	765.6	108.8
90	89	90	93.5	801.0	814.5	130.5	423.0	436.5	101.3	288.0	99.0	792.0	112.5
92	91	92	95.5	818.8	832.6	133.4	432.4	446.2	103.5	294.4	101.2	809.6	115.0
95	94	95	98.5	845.5	859.8	137.8	446.5	460.9	106.9	304.0	104.5	836.0	118.8
97	96	97	100.5	863.3	877.9	140.7	455.9	470.5	109.1	310.4	106.7	853.6	121.3
98	97	98	101.5	872.2	886.9	142.1	460.6	475.3	110.3	313.6	107.8	862.4	122.5
100	99	100	103.5	890.0	905.0	145.0	470.0	485.0	112.5	320.0	110.0	880.0	125.0
102	101	102	106.0	907.8	923.1	147.9	479.4	494.7	114.8	326.4	112.2	897.6	127.5
105	104	105	109.0	934.5	950.3	152.3	493.5	509.3	118.1	336.0	115.5	924.0	131.3
107	106	107	111.0	952.3	968.4	155.2	502.9	519.0	120.4	342.4	117.7	941.6	133.8
108	107	108	112.0	961.2	977.4	156.6	507.6	523.8	121.5	345.6	118.8	950.4	135.0
111	110	111	115.0	987.9	1004.6	161.0	521.7	538.4	124.9	355.2	122.1	976.8	138.8
114	113	114	118.0	1014.6	1031.7	165.3	535.8	552.9	128.3	364.8	125.4	1003.2	142.5
117	116	117	121.0	1041.3	1058.9	169.7	549.9	567.5	131.6	374.4	128.7	1029.6	146.3
120	119	120	124.0	1068.0	1086.0	174.0	564.0	582.0	135.0	384.0	132.0	1056.0	150.0
122	121	122	127.0	1085.8	1104.1	176.9	573.4	591.7	137.3	390.4	134.2	1073.6	152.5
124	123	124	129.0	1103.6	1122.2	179.8	582.8	601.4	139.5	396.8	136.4	1091.2	155.0
127	126	127	132.0	1130.3	1149.4	184.2	596.9	616.0	142.9	406.4	139.7	1117.6	158.8
130	129	130	135.0	1157.0	1176.5	188.5	611.0	630.5	146.3	416.0	143.0	1144.0	162.5
132	131	132	137.0	1174.8	1194.6	191.4	620.4	640.2	148.5	422.4	145.2	1161.6	165.0
137	136	137	142.0	1219.3	1239.9	198.7	643.9	664.5	154.1	438.4	150.7	1205.6	171.3
142	141	142	147.0	1263.8	1285.1	205.9	667.4	688.7	159.8	454.4	156.2	1249.6	177.5
147	146	147	152.0	1308.3	1330.4	213.2	690.9	713.0	165.4	470.4	161.7	1293.6	183.8
152	151	152	157.0	1352.8	1375.6	220.4	714.4	737.2	171.0	486.4	167.2	1337.6	190.0

Steel Stud Link Chain & Fitting

Equipment Tables

Metric Units

Equipment Number		Equipment Letter					Stud Link Chain Cables for Bower Anchor				Stockless Bower Anchor	
Exceeding	Not Exceeding	NK	LR	AB	NV	BV	Total Length	Diameter			Number	Weight per Anchor
								Mild Steel (Grade 1)	Special Quality Steel (Grade 2)	Extra Special Quality Steel (Grade 3)		
							metres	mm	mm	mm		kg
50	70	A1	A	U1	--	--	220	14	12.5	--	2	180
70	90	A2	B	U2	--	--	220	16	14	--	2	240
90	110	A3	C	U3	--	--	247.5	17.5	16	--	2	300
110	130	A4	D	U4	--	--	247.5	19	17.5	--	2	360
130	150	A5	E	U5	--	--	275	20.5	17.5	--	2	420
150	175	B1	F	U6	--	--	275	22	19	--	2	480
175	205	B2	G	U7	--	--	302.5	24	20.5	--	2	570
205	240	B3	H	U8	--	--	302.5	26	22	--	3	660
240	280	B4	I	U9	--	--	330	28	24	--	3	780
280	320	B5	J	U10	--	--	357.5	30	26	--	3	900
320	360	C1	K	U11	--	--	357.5	32	28	--	3	1020
360	400	C2	L	U12	--	--	385	34	30	--	3	1140
400	450	C3	M	U13	--	--	385	36	32	--	3	1290
450	500	C4	N	U14	--	--	412.5	38	34	--	3	1440
500	550	C5	O	U15	--	--	412.5	40	34	--	3	1590
550	600	D1	P	U16	--	--	440	42	36	--	3	1740
600	660	D2	Q	U17	--	--	440	44	38	--	3	1920
660	720	D3	R	U18	--	--	440	46	40	--	3	2100
720	780	D4	S	U19	s	--	467.5	48	42	--	3	2280
780	840	D5	T	U20	t	--	467.5	50	44	--	3	2460
840	910	E1	U	U21	u	--	467.5	52	46	40	3	2640
910	980	E2	V	U22	v	--	495	54	48	42	3	2850
980	1060	E3	W	U23	w	--	495	56	50	44	3	3060
1060	1140	E4	X	U24	x	--	495	58	50	46	3	3300
1140	1220	E5	Y	U25	y	--	522.5	60	52	46	3	3540
1220	1300	F1	Z	U26	z	--	522.5	62	54	48	3	3780
1300	1390	F2	A1	U27	A	--	522.5	64	56	50	3	4050
1390	1480	F3	B1	U28	B	--	550	66	58	50	3	4320
1480	1570	F4	C1	U29	C	--	550	68	60	52	3	4590
1570	1670	F5	D1	U30	D	--	550	70	62	54	3	4890
1670	1790	G1	E1	U31	E	--	577.5	73	64	56	3	5250
1790	1930	G2	F1	U32	F	--	577.5	76	66	58	3	5610
1930	2080	G3	G1	U33	G	--	577.5	78	68	60	3	6000
2080	2230	G4	H1	U34	H	--	605	81	70	62	3	6450
2230	2380	G5	I1	U35	I	--	605	84	73	64	3	6900
2380	2530	H1	J1	U36	J	--	605	87	76	66	3	7350
2530	2700	H2	K1	U37	K	--	632.5	90	78	68	3	7800
2700	2870	H3	L1	U38	L	--	632.5	92	81	70	3	8300
2870	3040	H4	M1	U39	M	--	632.5	95	84	73	3	8700
3040	3210	H5	N1	U40	N	--	660	97	84	76	3	9300
3210	3400	J1	O1	U41	O	--	630	100	87	78	3	9900
3400	3600	J2	P1	U42	P	--	660	102	90	78	3	10500
3600	3800	J3	Q1	U43	Q	--	687.5	105	92	81	3	11100
3800	4000	J4	R1	U44	R	--	687.5	107	95	84	3	11700
4000	4200	J5	S1	U45	S	--	687.5	111	97	87	3	12300
4200	4400	K1	T1	U46	T	--	715	114	100	87	3	12900
4400	4600	K2	U1	U47	U	--	715	117	102	90	3	13500
4600	4800	K3	V1	U48	V	--	715	120	105	92	3	14100
4800	5000	K4	W1	U49	W	--	742.5	122	107	95	3	14700
5000	5200	K5	X1	U50	X	--	742.5	124	111	97	3	15400
5200	5500	L1	Y1	U51	Y	--	742.5	127	111	97	3	16100
5500	5800	L2	Z1	U52	Z	--	742.5	130	114	100	3	16900
5800	6100	L3	A*	U53	A*	--	742.5	132	117	102	3	17800
6100	6500	L4	B*	U54	B*	--	742.5	--	120	107	3	18800
6500	6900	L5	C*	U55	C*	--	770	--	124	111	3	20000
6900	7400	M1	D*	U56	D*	--	770	--	127	114	3	21500
7400	7900	M2	E*	U57	E*	--	770	--	132	117	3	23000
7900	8400	M3	F*	U58	F*	--	770	--	137	122	3	24500
8400	8900	M4	G*	U59	G*	--	770	--	142	127	3	26000
8900	9400	M5	H*	U60	H*	--	770	--	147	132	3	27500
9400	10000	N1	I*	U61	I*	--	770	--	152	132	3	29000
10000	10700			U62		--	770	--	--	137	3	31000
10700	11500			U63		--	770	--	--	142	3	33000
11500	12400			U64		--	770	--	--	147	3	35500
12400	13400			U65		--	770	--	--	152	3	38500
13400	14600			U66		--	770	--	--	157	3	42000
14600				U67		--	770	--	--	162	3	46000

Steel Stud Link Chain & Fitting

Testing Requirements

Lloyd's Register of Shipping

Metric Units

Inch/Pound Units

Chain Diameter	Grade				Minimum weight per length of 27.5m	
	U2		U3		With Dee Shackle	With Lugless Shackle
	Proof Load	Breaking Load	Proof Load	Breaking Load		
mm	kg	kg	kg	kg	kg	kg
12.5	6700	9400	9400	13500	107	105
14	8400	11800	11800	16800	130	127
16	10900	15300	15300	22000	160	157
17.5	13000	18300	18300	26100	190	186
19	15300	21500	21500	30700	220	216
20.5	17800	24900	24900	35600	252	248
22	20400	28600	28600	40900	290	286
24	24200	33900	33900	48500	350	345
26	28300	39700	39700	56700	410	405
28	32700	45800	45800	65500	480	475
30	37500	52400	52400	74900	550	545
32	42500	59400	59400	84900	620	615
34	47700	66800	66800	95500	700	690
36	53300	74600	74600	107000	785	775
38	59200	82800	82800	118000	875	860
40	65300	91400	91400	131000	965	950
42	71700	100000	100000	143000	1055	1040
44	78400	110000	110000	157000	1150	1130
46	85300	119000	119000	171000	1260	1240
48	92500	130000	130000	185000	1370	1345
50	100000	140000	140000	200000	1485	1455
52	108000	151000	151000	215000	1605	1575
54	116000	162000	162000	231000	1725	1690
56	124000	174000	174000	248000	1850	1810
58	132000	185000	185000	265000	1985	1945
60	141000	198000	198000	282000	2125	2075
62	150000	210000	210000	300000	2275	2220
64	159000	223000	223000	319000	2430	2370
66	169000	236000	236000	337000	2590	2525
68	178000	250000	250000	357000	2755	2685
70	188000	263000	263000	376000	2925	2850
73	203000	285000	285000	407000	3185	3130
76	219000	307000	307000	438000	3460	3360
78	230000	327000	327000	459000	3640	3535
81	246000	345000	345000	492000	3940	3820
84	263000	368000	368000	526000	4240	4105
87	280000	393000	393000	561000	4555	4405
90	298000	417000	417000	596000	4870	4705
92	310000	434000	434000	620000	5085	4905
95	329000	460000	460000	657000	5405	5210
97	341000	477000	477000	682000	5630	5425
100	360000	504000	504000	720000	5970	5745
102	373000	522000	522000	746000	6210	5970
105	393000	550000	550000	785000	6580	6320
107	406000	568000	568000	812000	6845	6575
111	433000	606000	606000	865000	7380	7080
114	453000	635000	635000	907000	7795	7475
117	474000	664000	664000	948000	8220	7870
120	495000	694000	694000	991000	8650	8270
122	510000	714000	714000	1019000	8960	8550
124	524000	734000	734000	1048000	9275	8835
127	546000	764000	764000	1092000	9740	9270
130	568000	795000	795000	1136000	10210	9710
132	583000	816000	816000	1165000	10540	10005
137	620000	868000	868000	1240000	11320	10750
142	658000	921000	921000	1316000	12110	11500
147	697000	975000	975000	1393000	12950	12300
152	736000	1030000	1030000	1471000	13890	13200

Chain Diameter	Grade				Minimum weight per length of 15 fathoms	
	U2		U3		With Dee Shackle	With Lugless Shackle
	Proof Load	Breaking Load	Proof Load	Breaking Load		
Inches	Tons	Tons	Tons	Tons	Cwt	Cwt
1/2	6.82	9.55	9.55	13.64	2-1/8	2-1/16
9/16	8.61	12.05	12.05	17.22	2-5/8	2-9/16
5/8	10.60	14.83	14.83	21.19	3-1/4	3-3/16
11/16	12.78	17.90	17.90	25.57	3-5/8	3-9/16
3/4	15.17	21.24	21.24	30.34	4-3/8	4-5/16
13/16	17.75	24.85	24.85	35.50	5-1/8	5-1/16
7/8	20.52	28.73	28.73	41.00	5-7/8	5-3/4
15/16	23.49	32.88	32.88	46.97	6-3/4	6-5/8
1	26.65	37.30	37.30	53.30	7-5/8	7-1/2
1-1/8	33.50	46.90	46.90	67.00	9-3/4	9-5/8
1-3/16	37.25	52.10	52.10	74.45	10-7/8	10-3/4
1-1/4	41.15	57.60	57.60	82.25	12	11-7/8
1-5/16	45.20	63.30	63.30	90.40	13-1/4	13-1/16
1-7/16	53.90	75.45	75.45	107.80	15-7/8	15-11/16
1-1/2	58.50	81.90	81.90	117.00	17-1/4	17
1-9/16	63.30	88.60	88.60	126.60	18-3/4	18-1/2
1-5/8	68.25	95.50	95.50	136.45	20	19-5/8
1-3/4	78.65	110.10	110.10	157.25	23-1/8	22-3/4
1-13/16	84.10	117.70	117.70	168.15	24-7/8	24-1/2
1-7/8	89.70	125.60	125.60	179.40	26-5/8	26-1/8
2	101.40	142.00	142.00	202.85	30	29-3/8
2-1/16	107.51	150.50	150.50	215.00	31-7/8	31-1/4
2-1/8	113.75	159.25	159.25	227.50	33-3/4	33
2-3/16	120.15	168.25	168.25	240.30	35-7/8	35-1/8
2-5/16	133.45	186.80	186.80	266.85	40	39-1/8
2-3/8	140.30	196.40	196.40	280.55	42-1/4	41-1/4
2-7/16	147.30	206.20	206.20	294.55	44-1/2	43-3/8
2-1/2	154.45	216.20	216.20	308.85	47	45-7/8
2-5/8	169.15	236.80	236.80	338.30	52	50-5/8
2-11/16	176.70	247.40	247.40	353.40	54-1/2	53-1/8
2-3/4	184.40	258.20	258.20	368.85	57-1/8	55-5/8
2-7/8	200.25	280.35	280.35	400.45	62-5/8	60-7/8
3	216.60	303.20	303.20	433.15	68-3/8	66-3/8
3-1/16	224.95	314.90	314.90	449.85	71-1/4	69-1/8
3-3/16	242.05	338.85	338.85	484.05	77-3/8	75
3-5/16	259.60	363.45	363.45	519.25	83-5/8	81
3-7/16	277.70	388.75	388.75	555.35	90-1/8	87-1/8
3-9/16	296.20	414.65	414.65	592.35	96-3/4	93-1/2
3-5/8	305.60	427.85	427.85	611.25	100	96-1/2
3-3/4	324.80	454.70	454.70	649.55	106-5/8	102-3/4
3-13/16	335.25	469.33	469.33	670.50	110-7/8	106-3/4
3-15/16	354.33	496.06	496.06	708.65	116-3/4	112-1/2
4	364.35	510.15	510.15	728.75	120-5/8	116
4-1/8	384.75	538.65	538.65	769.50	128-5/8	123-1/2
4-3/16	397.00	555.77	555.77	793.95	134-3/4	129-3/8
4-3/8	426.65	597.30	597.30	853.25	145-3/8	139-3/8
4-1/2	448.10	627.35	627.35	896.20	154-1/8	147-5/8
4-5/8	469.90	657.85	657.85	939.80	163	156
4-3/4	492.00	688.80	688.80	984.00	172	164-1/2
4-13/16	501.78	702.49	702.49	1000.36	176-5/8	168-5/8
4-7/8	515.73	722.03	722.03	1031.47	182-1/8	173-1/2
5	537.18	752.06	752.06	1074.36	191-5/8	182-1/2
5-1/8	558.87	782.42	782.42	1117.74	201-3/8	191-1/2
5-3/16	573.45	802.83	802.83	1146.91	207	196-1/2
5-3/8	610.33	854.46	854.46	1220.66	222-3/8	211-1/8
5-9/16	647.75	906.85	906.85	1295.51	237-3/8	225-1/2
5-3/4	685.66	959.93	959.93	1371.34	253-7/8	241
6	724.00	1013.61	1013.61	1448.01	274-1/8	260-1/2

