

Blocks

Steel Blocks

1 Single Sheave Snatch Block with Hook Head
Safety Type (with Latch) is also available.



2 Single Sheave Block with Hook Head



3 Double Sheave Snatch Block with Hook Head



4 Double Sheave Block with Hook Head



5 Single Sheave Snatch Block with Eye Head



6 Single Sheave Block with Eye Head



7 Double Sheave Snatch Block with Eye Head



8 Double Sheave Block with Eye Head



1 - 8 Sizes and Weights: (Approx.)

Sheave Dia		Dia of Wire Rope Applied		Pin Dia	Safe Working Load	Maximum Load	Test Load	Weight /pc							
%	in	%	%					1	5	2	6	3	7	4	8
75	3	5-10	13	500	1,000	1,500	1.2	1.2	1.8	1.8					
100	4	6-12	16	750	1,500	2,250	2.2	2.3	3.6	3.7					
130	5	8-13	19	1,500	3,000	4,500	3.9	4.3	6.1	5.9					
150	6	8-16	27	2,500	5,000	7,500	7.1	7.5	10.8	10.1					
180	7	9-14	30	3,000	6,000	9,000	10.8	10.5	15.5	15.5					
200	8	12-20	37	4,000	8,000	12,000	14.0	14.5	21.5	20.0					
250	10	12-22	40	5,000	10,000	15,000	24.5	25.6	35.5	36.0					
300	12	14-25	45	6,000	12,000	18,000	36.0	39.0	58.0	56.0					
350	14	16-28	50	6,500	13,000	19,500	50.0	49.0	79.5	64.0					
400	16	16-30	55	7,500	15,000	22,500	79.0	79.0	100.0	115.0					

Wire Rope Block (with Ball Bearing)

9 Shackle Head



9-10 Sizes and Weights: (Approx.)

Sheave Dia	Dia of Wire Rope Applied	S. W. L. (Ton)				w/pc: kg					
		Shackle Type		Swivel Type		Shackle Type		Swivel Type			
		1S	2S	1S	2S	1S	2S	1S	2S		
75	3	4	9	0.5	—	—	—	1.2	—	—	—
100	4	4	9	1	1	1	1	1.8	2.8	1.8	3.0
125	5	4	12	1.5	1.5	1	1.5	3.6	5.5	3.6	6.1
150	6	4	14	2	2	1.5	2	6.0	8.5	6.0	9.4
175	7	4	16	3	3	2	2.5	9.0	13.8	9.0	14.4
200	8	4	16	3.5	3.5	2	2.5	11.7	18.0	11.7	18.7
250	10	4	16	4	—	2	—	15.0	—	15.0	—
300	12	4	16	4.5	—	—	—	17.6	—	—	—
375	15	4	16	5	—	—	—	27.0	—	—	—

2S: 2 sheave; 1S: 1 sheave (Hook Head is available)

10 Swivel Eye Head



13 Tackle Pulley



13 Sizes and Weights: (Approx.)

Sheave Dia	1 Sheave W/100 pcs	2 Sheave W/100 pcs
1/2"	1.8kg	3 kg
3/4"	2.6	4.7
1"	3.8	6.2
1 1/4"	5.5	9.2
1 1/2"	7.9	14.4
1 3/4"	12.9	21.2
2"	17.8	31.1
2 1/2"	22.2	36.1
3"	41.7	71.9
3 1/2"	66.7	108.3

Cargo Blocks

Galvanised Malleable Iron Blocks

Sizes from 2 inch to 12 inch



No 17



No 18



No 22



No 23



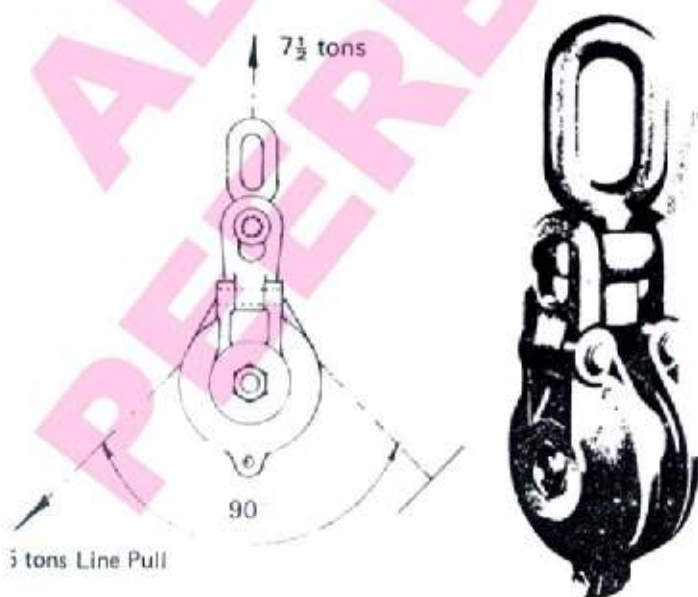
No 28

SINGLE, DOUBLE AND TREBLE BLOCKS

Nominal Size of Block		Length of Shell		Sheave Dia x Width		Cir of Fable Rope for Standard Sheaves		SINGLE		DOUBLE		TREBLE	
in	mm	in	mm	in	mm	in	mm	No. 17 Swivel Eye	No. 18 Swivel Hook	No. 22 Swivel Eye	No. 23 Swivel Hook	No. 27 Swivel Eye	No. 28 Swivel Hook
3	76	3 1/2	88	1 1/2 x 1 1/2	44 x 16	1 1/2	38	0.2	0.1	0.4	0.3	0.5	0.3
4	102	4 1/2	121	2 1/2 x 2	60 x 19	2	51	0.4	0.2	0.9	0.5	1.0	0.5
5	127	5 1/2	146	3 1/2 x 2	82 x 22	2 1/2	57	0.5	0.3	1.1	0.8	1.5	0.8
6	152	7	177	3 1/2 x 1 1/2	95 x 31	3	76	1.0	0.5	2.0	1.1	2.0	1.3
7	177	8	203	4 1/2 x 1 1/2	111 x 31	3 1/2	82	1.1	0.6	2.3	1.3	2.4	1.5
8	203	9 1/2	235	5 1/2 x 1 1/2	137 x 35	3 1/2	88	1.2	0.7	2.6	1.5	3.0	2.0
9	229	10	254	6 1/2 x 1 1/2	159 x 38	3 1/2	95	1.5	0.9	3.0	2.0	3.5	2.5

- Much stronger than wood blocks of equivalent size.
- Edges beaded to prevent chafing of rope.
- Fitted with hooks or eyes as required.

- **Sheaves** Iron castings with smooth grooves, plain bore
- **Pins** Cottered to prevent rotation or accidental removal.
- **Bushes** (When specified) sintered bronze oil retaining.



Logging Snatch Block

SHEAVE: 6 in (150 mm) outside diameter for 3/4 in (19 mm) diameter wire rope shrouded by ample rope guards.

LUBRICATION: via grease nipple countersunk into sheave pin head, feeding into large grease chamber.

HEADFITTING: Swivel Oval Eye (as illustrated) or with Swivel Hook.

Suitable for Line Pull of 5 tons. = 7 1/2 tons on headfitting (neglecting friction) at 90° wrap
As sketch — Tested to 15 tons.

No protruding parts.

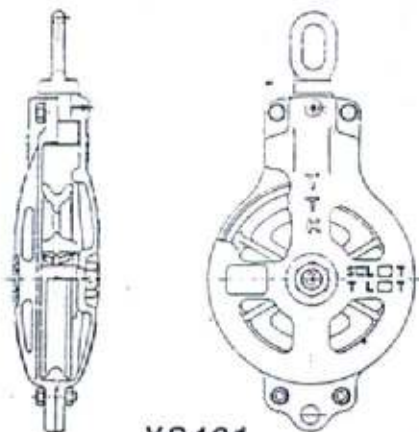
Cargo Blocks

Cargo Hoisting Blocks

American Pattern Blocks

Sheaves with Taper Roller Bearings

Single



YS421

Example

16" (410) × 1
Sheave Dia
Number of Sheave

R A R

Round eye Head fitting of each type can be mounted.

Without Becket

With Taper Roller Bearings

Sheave Dia. (mm)	SWL (tons)	TEST (tons)	Wire Rope Dia. (mm)	Weight each (kgs)
14" (340)	5	20	24	66
14" (340)	6	24	28	68
14" (340)	8	32	25~29	75
16" (410)	8	32	25~29	90
16" (410)	10	40	29~32	93
18" (460)	15	60	32~36	130

Double



YS422

Example

14" (340) × 2
Sheave Dia.
Number of Sheave

R A O

Oval eye Head fitting of each type can be mounted.

Without Becket

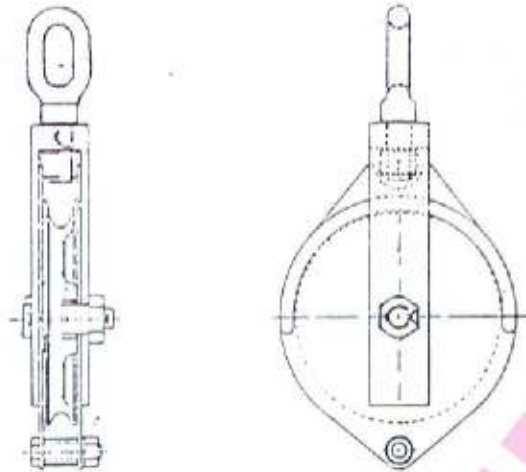
With Taper Roller Bearings

Sheave Dia. (mm)	SWL (tons)	TEST (tons)	Wire Rope Dia. (mm)	Weight each (kgs)
14" (340)	10	20	24	90
14" (340)	12	24	28	95
14" (340)	15	30	28	99
16" (410)	16	32	29~32	140
16" (410)	20	40	29~32	148
18" (460)	30	60	32~36	210

Cargo Blocks

'Universal Cargo' Heel or Lead Blocks

Type A



YS401

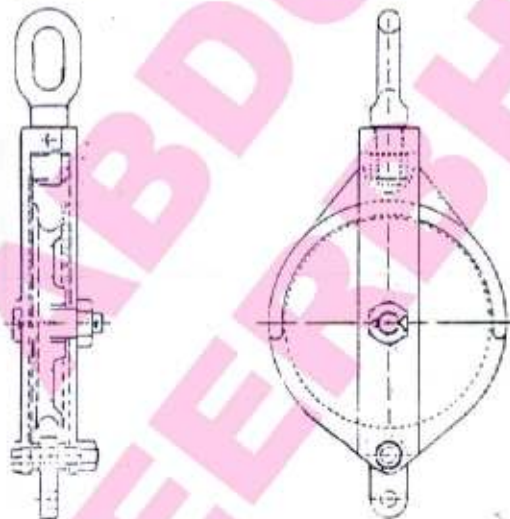
Example

16" (400) × 1 A H
 Sheave Dia. Number of Sheave

Double Lug Head fitting of each type can be mounted.
 Without Becket

Sheave Dia. (mm)	Wire Rope Dia. (mm)	SWL (tons)	TEST (tons)	Weight each (kgs)
8" (200)	9-12	1	4	22
10" (250)	14-16	3	12	28
12" (300)	16-21	3	12	30
12" (300)	16-21	5	20	33
14" (350)	21-24	5	20	42
14" (350)	24-29	8	32	50
16" (400)	21-24	5	20	57
16" (400)	25-29	8	32	69
16" (400)	29-32	10	40	74
18" (450)	29-32	10	40	97
18" (450)	32-36	15	60	110
20" (500)	38-42	20	80	180

Type B



YS402

Example

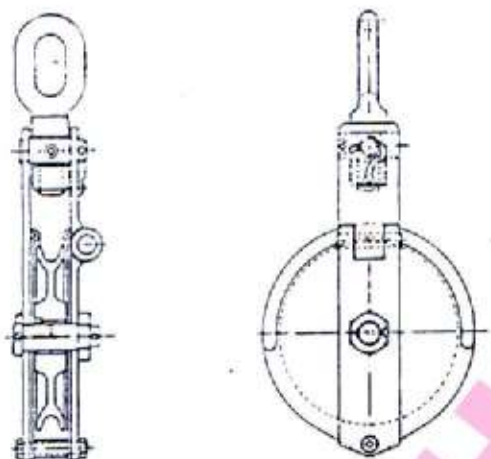
14" (350) × 1 B L
 Sheave Dia. Number of Sheave

Duckbill eye Head fitting of each type can be mounted.
 With Becket

Sheave Dia. (mm)	Wire Rope Dia. (mm)	SWL (tons)	TEST (tons)	Weight each (kgs)
8" (200)	9-12	1	6	26
10" (250)	14-16	3	18	33
12" (300)	16-21	3	18	35
12" (300)	16-21	5	30	38
14" (350)	21-24	5	30	49
14" (350)	24-29	8	48	58
16" (400)	21-24	5	30	66
16" (400)	25-29	8	48	80
16" (400)	29-32	10	60	86
18" (450)	29-32	10	60	113
18" (450)	32-36	15	90	129
20" (500)	38-42	20	120	195

Cargo Blocks

Snatch Blocks

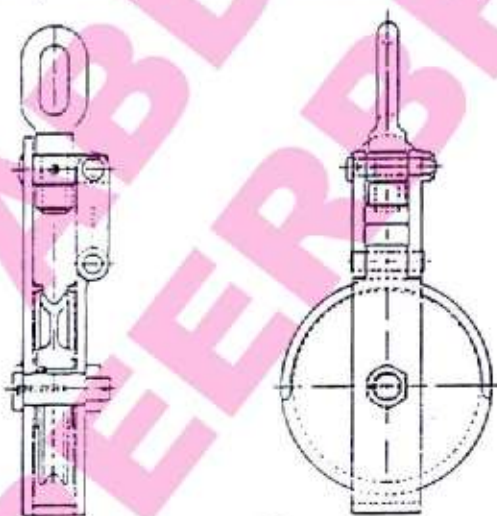


Sheave Dia. (mm)	Wire Rope Dia. (mm)	SWL (tons)	TEST (tons)	Weight each (kgs)
10" (250)	20	3	12	40
12" (300)	20	3	12	43
12" (300)	24	5	20	46
14" (350)	24	5	20	59
14" (350)	28	6	24	65
16" (400)	28	6	24	85
16" (400)	29-32	8	32	98

YS441

Example 14" (350) × 1 S O
 Sheave Dia. | Snatch Block | Oval eye Head fitting
 Number of Sheave

Heavy duty Snatch Blocks



Sheave Dia. (mm)	Wire Rope Dia. (mm)	SWL (tons)	TEST (tons)	Weight each (kgs)
16" (400)	29-32	10	40	104
16" (400)	32-36	15	60	139
18" (460)	32-36	15	60	153
18" (460)	38-42	20	80	204
20" (500)	38-42	20	80	226
20" (500)	50-56	30	120	300
24" (610)	54-60	50	200	450

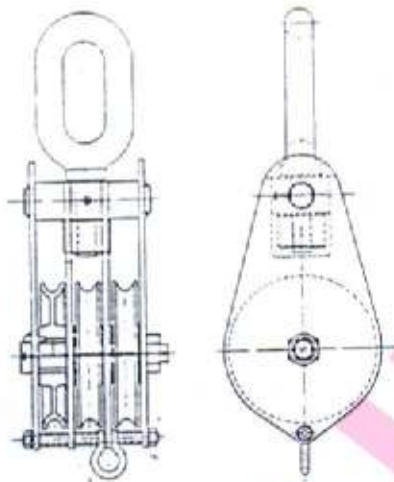
YS461

Example 18" (450) × 1 S O
 Sheave Dia. | Snatch Block | Oval eye Head fitting
 Number of Sheave

Cargo Blocks

'Universal Cargo' Heel or Lead Blocks

3 Sheaves



YS482

Sheave Dia. (mm)	Wire Rope Dia. (mm)	SWL (tons)	TEST (tons)	Weight each (kgs)
10" (250)	14~16	9	29	74
10" (250)	14~16	12	32	80
10" (250)	16~20	15	35	86
12" (300)	16~20	14	34	117
12" (300)	16~20	17	37	126
12" (300)	20~24	20	40	141
14" (350)	20~24	20	40	157
14" (350)	20~24	25	45	176
14" (350)	24~28	30	50	200
16" (400)	24~28	30	50	234
16" (400)	28~32	40	60	256
18" (450)	28~32	40	60	360
20" (500)	32-38	100	200	650

Example

16" (400) × 3 B O

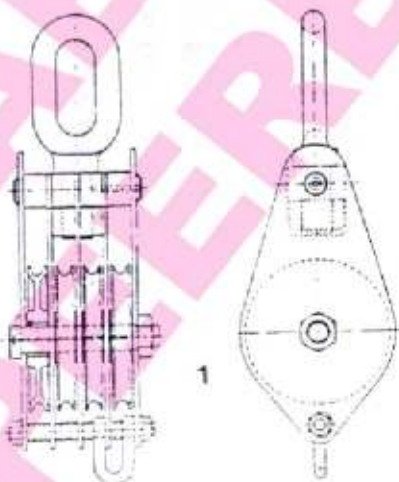
Sheave Dia.

Oval eye Head fitting

With Becket

Number of Sheave

4 Sheaves



YS483

Sheave Dia. (mm)	Wire Rope Dia. (mm)	SWL (tons)	TEST (tons)	Weight each (kgs)
14" (350)	20~24	30	50	235
14" (350)	24~28	40	60	257
16" (400)	24~28	40	60	318
16" (400)	24~28	50	70	340
18" (450)	24~28	50	70	415
18" (450)	28~32	60	80	500
20" (500)	32-38	100	200	700

Example

18" (450) × 4 B O

Sheave Dia.

Oval eye Head fitting

With Becket

Number of Sheave