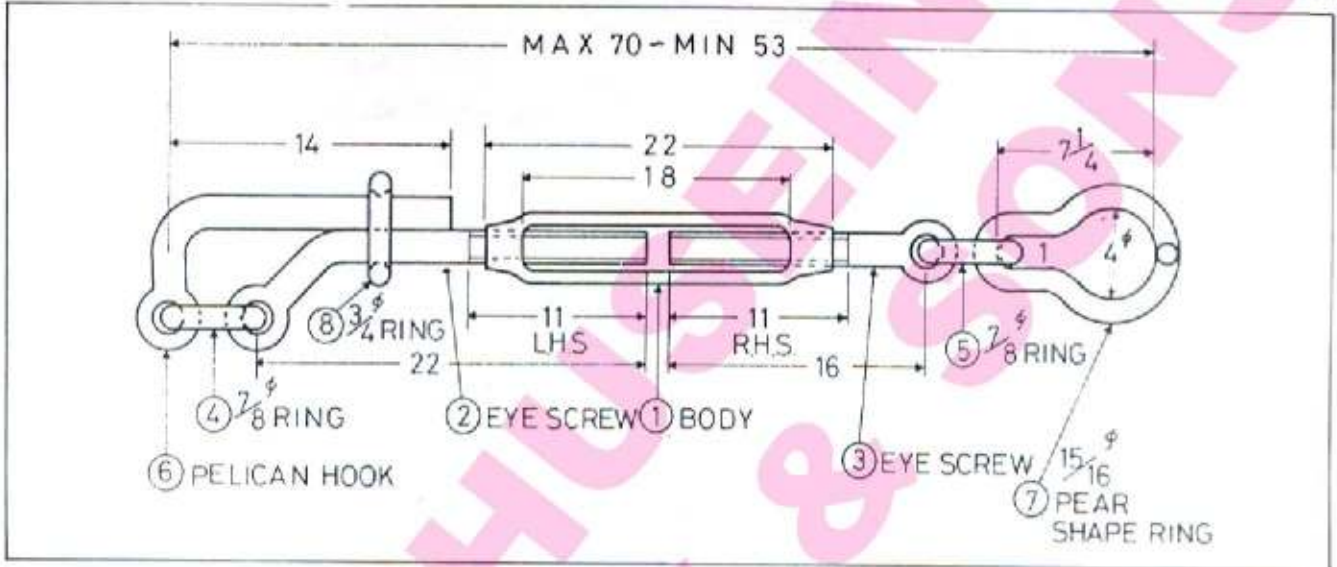


Lashing Materials

Decklashing Turnbuckles



MIN. LOAD TO VISIBLE DISTORTION 18,250 LBS, ULTIMATE LOAD 56,000 LBS (25.5 TONS)



Lashing Block



Size	Weight
150%	12kg
180%	17kg

Screw pin Chain Shackle



Wire clip



Twisted Hook for Lumber



Roller Shackle



Roller Shackle Dimensions

Size	Roller thickness	Roller dia	W./pce			
32	1 1/4	60	2 3/8	85	3 3/8	5.5

For lumber ship
TL-14ton
SWL-7ton

Long Frame Turnbuckle with Eye and Eye (TB-%)



Hook and Hook (TB-H/H)



Eye and Eye (TB-E/E)



Hook and Eye (TB-H/E)

