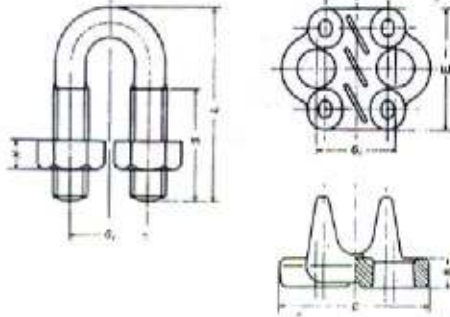


# WIRE ROPE CLIPS

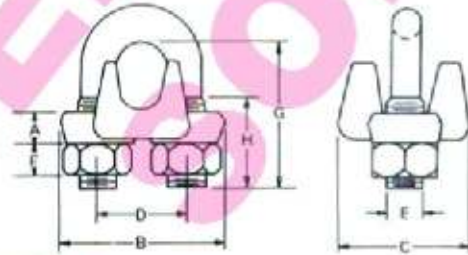
**JIS Type**  
(Drop Forged Steel Case)

**U.S. Type**  
(Drop Forged Steel Case)

(JIS B-2809/1966)



U.S. Federal Spec.  
FF-C-450b  
Type 1 Class 1



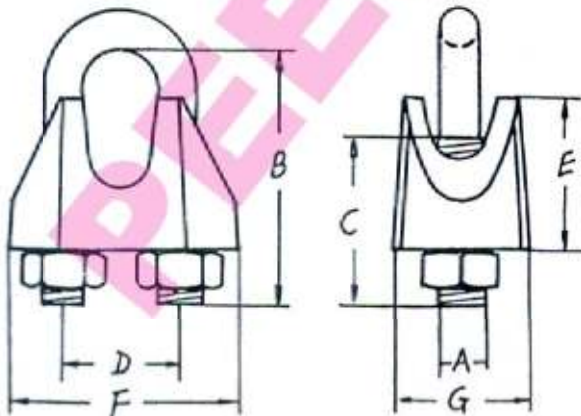
Sizes and Weights (Approx.)

Nominal Size %	B %	C %	E %	G1, 2 %	Thread Dia %	H %	L %	S %	W/pce kg
6	6	29	24	14	M 6	5	35	20	0.047
8	6	36	31	18	8	6.5	40	20	0.080
10	7	45	35	22	10	8.0	50	28	0.150
12	8	51	39	26	12	10	60	35	0.250
14	9	53	45	28	12	10	65	40	0.290
16	10	60	48	32	14	11	75	45	0.350
18	11	62	53	34	14	11	80	50	0.450
20-22	12	78	62	44	18	15	100	60	0.960
24-25	13	86	68	48	20	16	110	65	1.250
26-28	14	94	75	54	22	18	120	70	1.700
30-32	15	98	79	58	22	18	130	75	1.900
33-38	16	120	93	70	27	22	150	85	3.400
40-45	19	136	100	80	30	24	175	95	5.000
47-50	21	150	115	89	33	26	195	100	6.800
56-60	25	170	128	101	36	29	240	115	8.9
63-70	27	190	142	115	39	31	270	130	10.9
73-80	29	212	156	127	42	34	300	150	14.6

Sizes and Weights (Approx.)

Nominal Size	Body (Case)				U Bolt & Heavy Nut				W/pce	
	A	B	C	D	E	F	G	H	kg	Lb
in	in	in	in	in	in	in	in	in		
1/2	3/8	1 1/8	1 1/8	3/4	3/8	3/8	1 1/8	3/8	0.082	0.18
3/4	1/2	1 1/8	1 1/8	3/4	3/8	3/8	1 1/8	3/8	0.113	0.25
1	3/4	1 1/2	1 1/2	1"	3/4	3/4	1 1/2	3/4	0.191	0.42
1 1/2	1	2 1/8	2 1/8	1 1/4	3/4	3/4	2 1/8	1 1/4	0.331	0.73
2	1 1/4	2 3/4	2 3/4	1 3/4	3/4	3/4	2 3/4	1 3/4	0.408	0.90
2 1/2	1 3/4	3 1/4	3 1/4	2 1/4	3/4	3/4	3 1/4	1 3/4	0.680	1.5
3	2	3 3/4	3 3/4	2 3/4	3/4	3/4	3 3/4	1 3/4	0.907	2.0
1"	3/4	3 3/4	3 3/4	2 3/4	3/4	3/4	3 3/4	2 3/4	1.134	2.5

Cast Iron GAL.



Size mm	A	B	C	D	E	F	G	Approx 100WT/pce kg
4	4	21	18	9.5	13	20.5	13	1.0
6	6	24.3	20	13.5	18	28.5	17	3.5
8	6	27.8	22	15.5	20	31.5	18	4.7
10	8	32.2	26	19.5	23	38.5	22	9.1
12	10	36.9	28	24	27	46	25	14.9
14	10	40	30	26	28	48	25	16.6
16	12	43.3	32	30	31	54	28	23
18	12	46.3	34	32	33	57	29	27.7
20	12	52.3	38	34	37	59	29	28.3
22	16	66.2	46	40	45	71	35	52.2
25	20	79.5	58	47	51	83	40	90.9